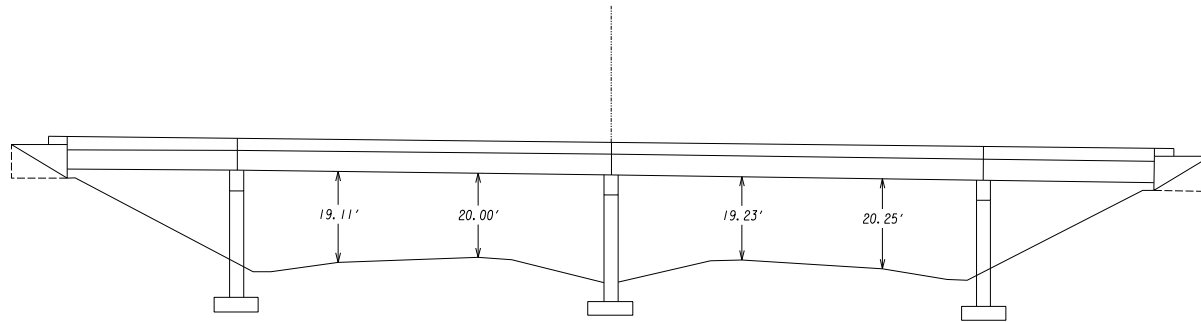
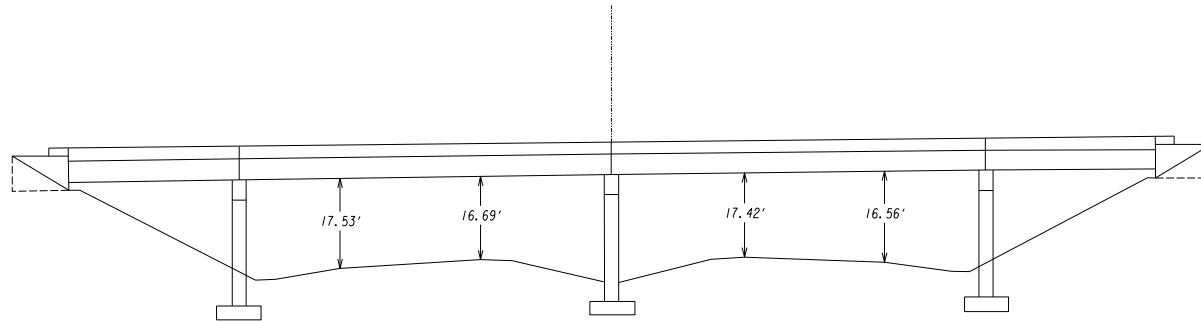


SR 299 BRIDGE OVER I-24



(I-24 FACING NORTH)



(I-24 FACING SOUTH)

ELEVATION

VERTICAL CLEARANCE - BRIDGE OVER HIGHWAY

(P. I. NO. 0011682)
(DADE COUNTY)